



2007 Mitsubishi Fuso

# FG140

4x4



It's got your **drive,**  
at all **four** wheels.

# FG140<sub>4x4</sub>

4-wheel drive dependability never had so much style.



The FG140 model brings dramatic styling and never-say-die dependability to 4-wheel drive. It combines a ruggedly engineered cab with Mitsubishi Fuso's longstanding reputation for superior reliability. Its turbocharged 4-cylinder diesel engine is

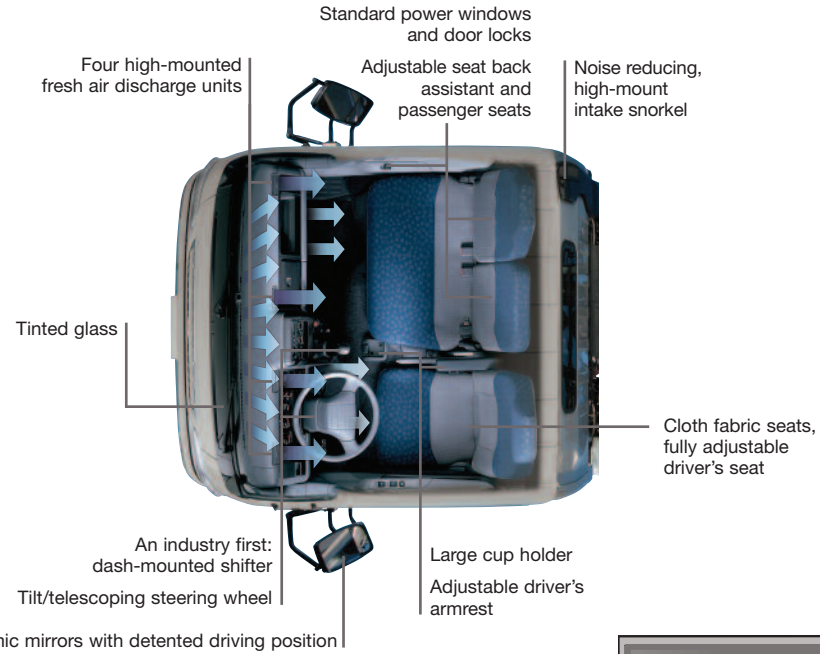
quiet, offers plenty of torque and is mated to a smooth-shifting 5-speed manual transmission. A rugged 2-speed (hi/low range) transfer case provides improved traction for construction sites, snow plowing and other off-road chores. Halogen headlamps offer superior visibility. Inside, the fully trimmed cab has plenty of head, leg and elbow room, easy-to-read instrumentation, tilt/telescoping steering wheel, adjustable seating, dash-mounted shifter and much, much more. The FG140: still the only 4x4 cabover in the industry.



## FG Features

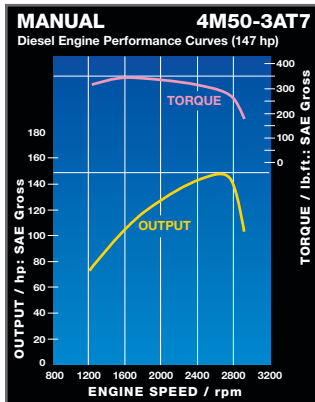
- Easy-to-read instrument panel
- Dash-mounted shifter maximizes legroom
- Tilt/telescoping steering wheel with one-touch quick release
- 3-speed wet arm windshield wiper
- Optional split-view driver and passenger mirrors





## Safety

- Crush bar in each door
- Energy-absorbing steering wheel
- Daytime running lights
- ABS hydraulic, self-adjusting drum brakes, all wheels
- High-visibility halogen headlamps
- Covered, open-grate entry steps
- "Wet arm" 3-speed windshield wipers
- Forward swing doors for easy, safe entry



## Engine

|                           |   |
|---------------------------|---|
| Model                     | Mitsubishi 4M50   |
| Type                      | DOHC 4-stroke cycle, water-cooled, turbocharged, intercooled diesel |
| No. of cylinders          | Four in-line  |
| Piston displacement       | 299.0 cu.in. (4.9 liter)  |
| Max. output (SAE, gross)  | 147 hp @ 2700 rpm   |
| Max. torque (SAE, gross)  | 347 lb.-ft. @ 1600 rpm  |
| Air cleaner               | Dry paper element with snorkel                                      |
| Starter                   | 12-volt   |
| Alternator                | 12-volt, 100-amp  |
| Cold weather starting aid | Individual ceramic-tipped glow-plugs                                |

## Body Colors

Natural White



Arcadia Silver



Jupiter Green



Mars Red

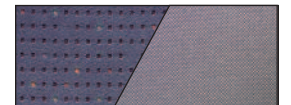


Shannon Blue



## Fabric Style

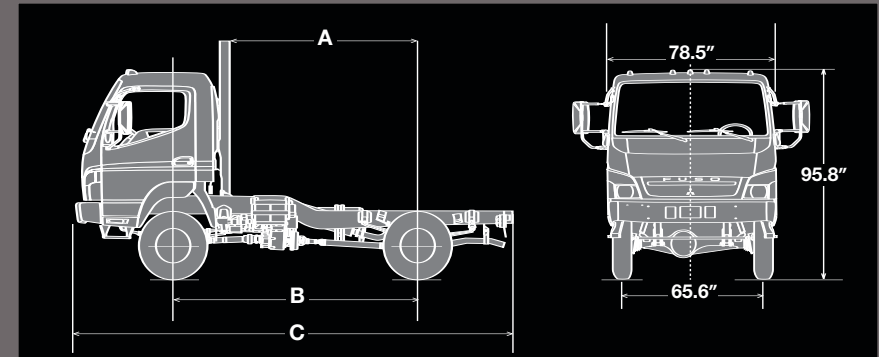
Blue and Gray Cloth



## FG140 Specifications

### Chassis

|  |   |
|--|---|
| <b>Clutch</b>                            | Organic   |
| Clutch size                              | 12.8"   |
| <b>Transmission</b>                      |   |
| Standard transmission                    | Mitsubishi 5-speed OD MT w/2-speed transfer case  |
| Optional transmission                    | n/a   |
| Estimated top speed (mph)                | 68  |
| <b>Axles</b>                             |   |
| Front                                    | Full floating type, 5,730-lb. capacity  |
| Rear                                     | Full floating type, 9,480-lb. capacity  |
| <b>Final reduction gear</b>              | Single-reduction hypoid gear  |
| Ratio                                    | 4.875 MT  |
| <b>Curb weight base model</b>            | 5,842 lb.   |
| <b>Turning diameter (min. wheelbase)</b> | 37.7 ft.  |
| <b>Tires (premium)</b>                   | Single front, dual rear   |
| Size                                     | 235/85R16 10PR Traction all positions   |
| <b>Disc wheel</b>                        | 16" x 6"/6-lug  |
| <b>Steering</b>                          | Ball-nut-type with integral-type hydraulic power booster<br>Tilt/telescoping steering column with steering lock |
| <b>Windows/door locks</b>                | Power   |
| <b>Suspension</b>                        |   |
| Front                                    | Laminated leaf springs with shock absorbers   |
| Rear                                     | Laminated leaf springs with shock absorbers   |
| <b>Brakes</b>                            |   |
| Service                                  | Drum, hydraulic type with vacuum servo assist with ABS  |
| Parking                                  | Drum/driveline, internal expanding shoe   |
| Exhaust                                  | Vacuum actuated   |
| <b>Frame</b>                             |   |
| Type                                     | Ladder/drop/tapered   |
| Section modulus                          | 6.95 cu.in.   |
| Yield strength                           | 44,000 psi  |
| RBM per rail                             | 305,800 lb.-in.   |
| Height/width                             | 32.4"/29.5"   |
| <b>Fuel tank</b>                         | 33-gallon side mount  |
| <b>Electrical system</b>                 | Two 12-volt, maintenance-free batteries – 799 CCA EA  |
| <b>Vehicle safety</b>                    | Energy-absorbing steering wheel, crush bars in doors,<br>daytime running lights and ABS standard                |



### Dimensions

|                                  |        |         |
|----------------------------------|--------|---------|
| A. Usable cab to rear axle       | 87.4"  | 111.0"  |
| B. Wheelbase                     | 112.6" | 136.2"  |
| C. Overall length (end of frame) | 200.3" | 223.9"  |
| <b>Body size accommodated</b>    | 12'    | 14' 16' |

### Weight (lb.)\*

|                            |        |             |            |
|----------------------------|--------|-------------|------------|
| GVWR/GAWR                  | 14,050 | Front 5,730 | Rear 9,480 |
| GCWR                       | 17,045 |             |            |
| Max. body-payload capacity | 8,208  |             |            |

\*Weight approximate. See dealer for details.



**MITSUBISHI FUSO**  
**TRUCK OF AMERICA, Inc.**

2015 Center Square Road  
Logan Twp., NJ 08085

For the dealer nearest you,  
or for more information,  
visit our web site at:  
**www.mitfuso.com**

Vehicle specifications are subject to change without notice. Photos and descriptions included on this spec sheet may vary in comparison to actual vehicle models.

For warranty limitations and details, see your local dealer.

♻️ PRINTED IN THE U.S.A. ON  
RECYCLED AND RECYCLABLE PAPER 3/06.  
©2006 MITSUBISHI FUSO TRUCK OF  
AMERICA, Inc.