



2007 Mitsubishi Fuso

FM330

Easy-going **personality.**
Hard-working design.

Strength your company can build on.



The largest payloads call for stronger frames, big power and lots of torque. Mitsubishi Fuso's FM330 model offers all three in abundance. Its rugged ladder-style frame with web-mounted crossmembers can handle bodies up

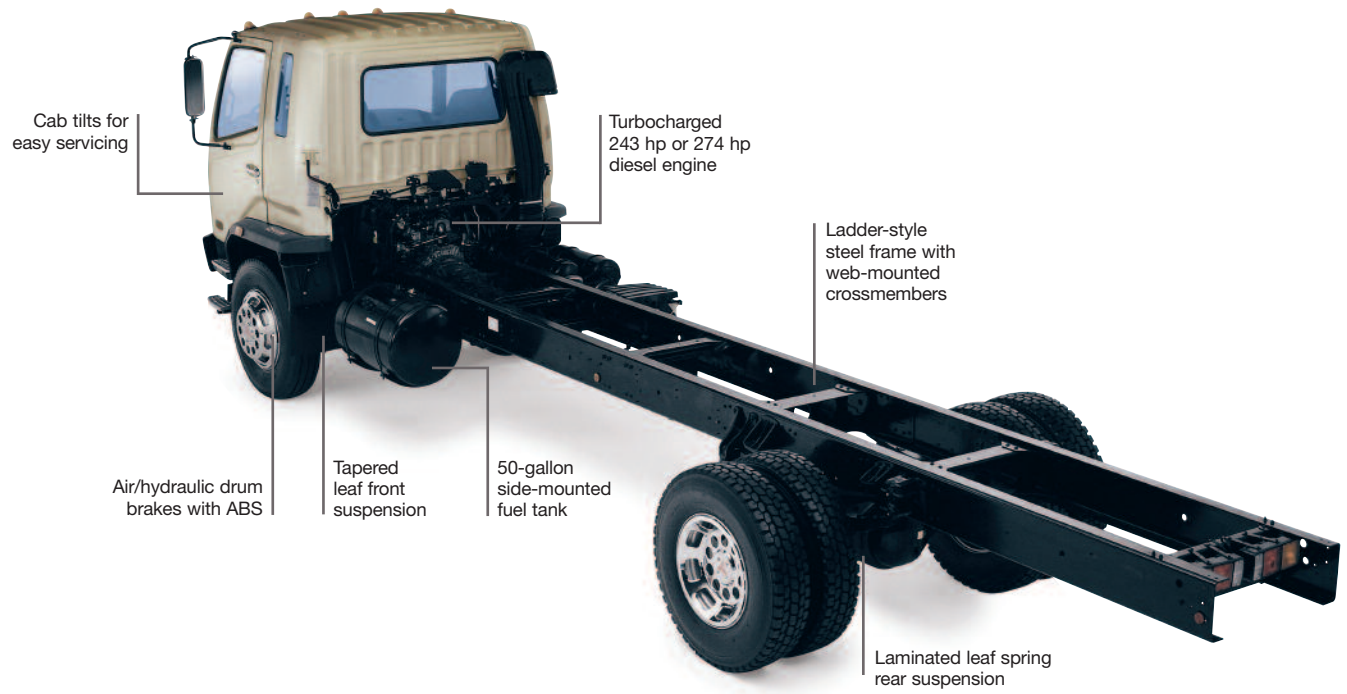
to 28'. Its direct-injected, intercooled, turbocharged 6-cylinder diesel engine delivers day-in day-out dependability and is easy to maintain. The FM330's cab is most accommodating with a 6-way adjustable driver's seat, tilt/telescoping steering wheel, superior wide-angle visibility and a fully trimmed interior that's exceptionally roomy and quiet. Mitsubishi Fuso cabovers work harder for your business. And the FM330's productivity comes up big, every time.



FM Features

- Fixed console between seats with cup holders
- Spacious interior is fully trimmed
- Open-grate steps for safe entry/exit
- Contoured, color-coordinated front bumper





Safety

- Crush bar in each door
- Energy-absorbing steering wheel
- Daytime running lights
- Air/hydraulic brakes with ABS
- High-visibility halogen headlamps
- Open-grate entry steps

Engine

Model	Mitsubishi 6M60
Type	SOHC 4-stroke cycle, water-cooled, turbocharged, intercooled diesel with 4 valves per cylinder
No. of cylinders	Six in-line
Piston displacement	460 cu.in. (7.5 liter)
Max. output (SAE, gross)	243 hp MT and Allison®, 274 hp Eaton® transmission (@ 2600 rpm)
Max torque (SAE, gross)	516 lb.-ft. Mitsubishi MT and Allison AT / 589 lb.-ft. Eaton MT (@ 1400 rpm)
Air cleaner	Dry paper element with snorkel
Starter	12-volt
Alternator	12-volt, 100-amp
Cold weather starting aid	Individual ceramic-tipped glow-plugs

Body Colors

- Natural White 
- Arcadia Silver 
- Jupiter Green 
- Mars Red 
- Shannon Blue 

Immediately available in white. All other colors may be special ordered at no extra charge.

Fabric Style

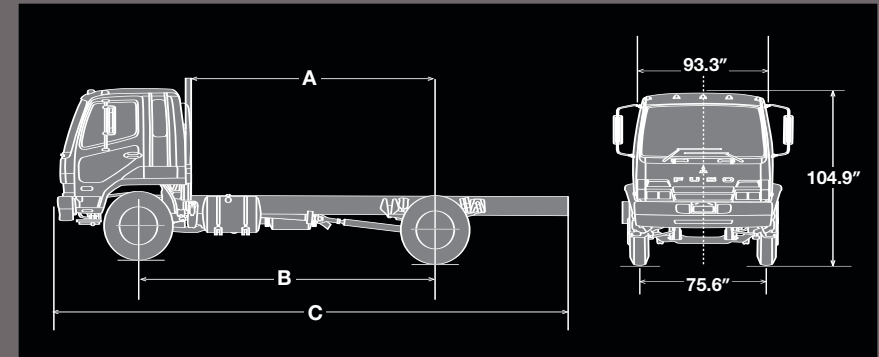
- Blue and Gray Cloth 



FM330 Specifications

Chassis

Clutch	Cerametallic
Clutch size	15"
Transmission	
Standard transmission	Allison® MD 3060 Electronic 6-speed OD AT
Optional transmissions	Mitsubishi 6-speed Direct MT or Eaton® 9-speed Direct MT
Estimated top speed (mph)	74 Mitsubishi MT/75 Allison AT/80 Eaton MT
Axles	
Front	Reverse Elliot, I-beam type, 11,905-lb. capacity
Rear	Full floating type, 22,485-lb. capacity
Final reduction gear	Single-reduction hypoid gear
Ratio	5.857 Mitsubishi MT/6.666 Allison AT/4.222 Eaton MT
Curb weight base model	10,220 lb. (Eaton transmission only)
Turning diameter (short WB)	43.4 ft.
Tires (premium)	Single front, dual rear
Size	11R22.5 14PR Highway/Traction
Disc wheel	22.5" x 7.5"/8-lug
Steering	Ball-nut-type with integral-type hydraulic power booster Tilt/telescoping steering column with steering lock
Cruise control	Standard
Windows/door locks	Power
Suspension	
Front	Tapered leaf springs
Rear	Laminated leaf springs
Brakes	
Service	Full air drum with ABS
Parking	Spring brakes on rear axle
Exhaust	Air actuated
Frame	
Type	Ladder/straight
Section modulus	16.96 cu.in.
Yield strength	51,200 psi
RBM per rail	868,352 lb.-in.
Height/width	42.3"/33.1"
Fuel tank	50-gallon side mount
Electrical system	Two 12-volt, maintenance-free batteries – 799 CCA EA
Vehicle safety	Energy-absorbing steering wheel, crush bars in doors, daytime running lights and ABS standard



Dimensions

A. Usable cab to rear axle	109.6"	146.7"	164.8"	183.3"	204.1"
B. Wheelbase	Eaton only/144.9"	181.9"	200.0"	218.5"	239.4"
C. Overall length (end of frame)	260.8"	312.8"	339.6"	367.1"	408.5"
Body size accommodated	14' 16' 18' 20' 22' 24' 26' 28'				

Weight (lb.)*

GVWR/GAWR	32,900	Front 11,700	Rear 21,200
GCWR MT/AT	48,000	Mit MT and Allison AT/55,100 Eaton MT	
Max. body-payload capacity	22,680		

*Weight approximate. See dealer for details.



MITSUBISHI FUSO TRUCK OF AMERICA, Inc.

2015 Center Square Road
Logan Twp., NJ 08085

For the dealer nearest you,
or for more information,
visit our web site at:
www.mitfuso.com

Vehicle specifications are subject to change without notice. Photos and descriptions included on this spec sheet may vary in comparison to actual vehicle models.

For warranty limitations and details, see your local dealer.

Allison is a registered trademark of General Motors Corporation. Eaton is a registered trademark of Eaton Corporation.

♻️ PRINTED IN THE U.S.A. ON
RECYCLED AND RECYCLABLE PAPER 3/06.
©2006 MITSUBISHI FUSO TRUCK OF
AMERICA, Inc.