

# FM-HR

## SPECIFICATIONS



### Weight (lbs.)

<b>Max. GVWR</b>		30,000
	Front	10,640
	Rear	20,080
<b>Body/Payload</b>		Up to 20,490

### Dimensions (in.)

<b>Wheelbase</b>		181.9 (MT only)/200.0/218.5/239.4 (MT/AT)
<b>Usable cab to rear axle</b>		146.7/164.8/183.3/204.1
<b>Overall length (End of frame)</b>		313.8/340.6/368.1/409.4

### Engine

<b>Model</b>		Mitsubishi 6D16-3AT3
<b>Type</b>		4-stroke cycle, watercooled, direct injection, turbocharged, intercooled diesel
<b>No. of cylinders</b>		Six in-line
<b>Piston displacement</b>		460.3 cu. in. (7.5 liters)
<b>Max. output (SAE, gross)</b>		200 hp@2,600 rpm
<b>Max. torque (SAE, gross)</b>		434 lb.ft.@1,600 rpm
<b>Air cleaner</b>		Dry paper element with snorkel and rain cap
<b>Starter</b>		12-volt
<b>Alternator</b>		12-volt, 100-amp

### Chassis

<b>Clutch</b>		Hydraulic control, coil spring 13.8 in. single cerametallic disc
<b>Transmission (Automatic option)</b>		6 forward and 1 reverse speed, 2nd to 6th synchromesh, 1st and reverse constant mesh gears
	Ratio: manual	6.875/4.189/2.460/1.542/1.000/0.786, reverse 6.875
	Ratio: automatic	(Allison AT545) 3.454/2.253/1.407/1.000, reverse 5.024
<b>Axle</b>	Front	Reverse Elliot, I-beam-type, 10,800 lbs. capacity
	Rear	Full-floating-type, 20,080 lbs. capacity
<b>Final reduction gear</b>		Single-reduction hypoid gear
	Ratio	6.166 (MT) 5.571 (AT)
<b>Tires (Premium)</b>		Single front highway, dual rear traction
	Size	Premium 11R22.5 (14PR)
<b>Steering</b>		Ball-nut-type with integral-type hydraulic power booster. Telescopic and tilt steering column with steering lock
<b>Suspension</b>	Front	Laminated leaf springs with shock absorbers
	Rear	Laminated leaf springs
<b>Brakes</b>	Service	Air-over hydraulic, self-adjusting with anti-lock, air dryer standard (exhaust brake standard on MT only)
	Parking	Internal expanding-type on propeller shaft
<b>Fuel tank</b>		50-gallon tank and fuel/water separator (standard)
<b>Electrical system</b>		Two 12-volt, maintenance-free batteries
<b>Vehicle safety</b>		Energy-absorbing steering wheel, crush bars in doors, daytime running lights and ABS standard



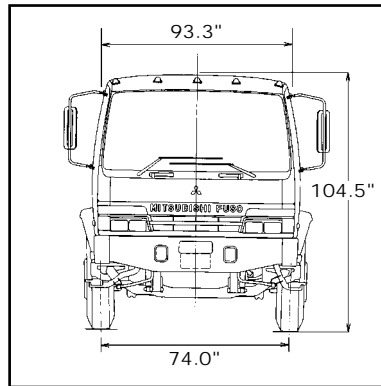
2002

# FM-HR

## SPECIFICATIONS

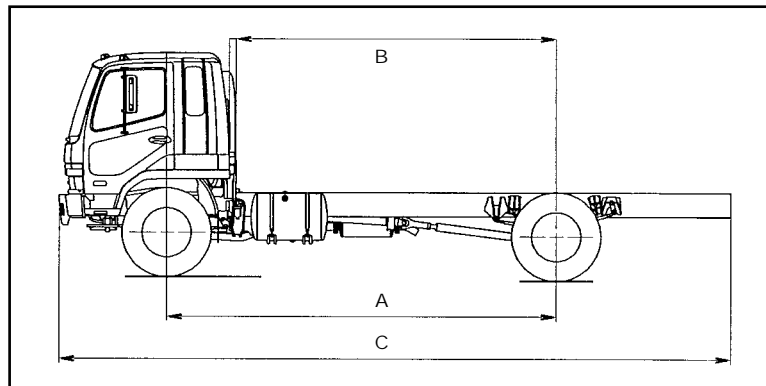


# 2002



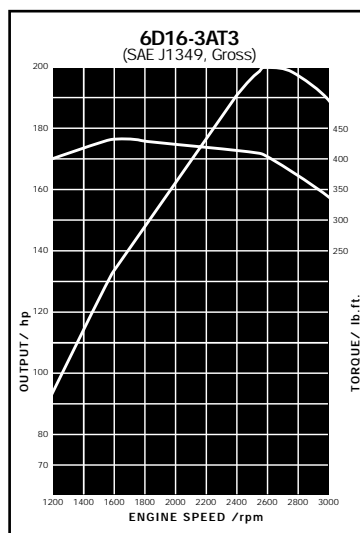
- A. Wheelbase (in.)  
181.9 (MT only)/200.0/218.5/239.4 (MT/AT)
- B. Usable cab to rear axle (in.)  
146.7/164.8/183.3/204.1
- C. Overall length (in.)  
313.8/340.6/368.1/409.4

MITSUBISHI FUSO TRUCK  
OF AMERICA, Inc.  
P.O. Box 464  
100 Center Square Road  
Bridgeport, NJ 08014



For the dealer nearest you,  
or for more information,  
call: 877-202-9650

Or visit our web site at:  
[www.mitfuso.com](http://www.mitfuso.com)



Vehicle specifications are subject to change without notice. Photos and descriptions included in this brochure may vary in comparison to actual vehicle models.

♻️ PRINTED IN THE U.S.A. ON RECYCLED AND RECYCLABLE PAPER 8/01. ©2001 MITSUBISHI FUSO TRUCK OF AMERICA, Inc.